



- AUS
- CAN
- GB
- IRL
- NZ
- USA

Spare Parts

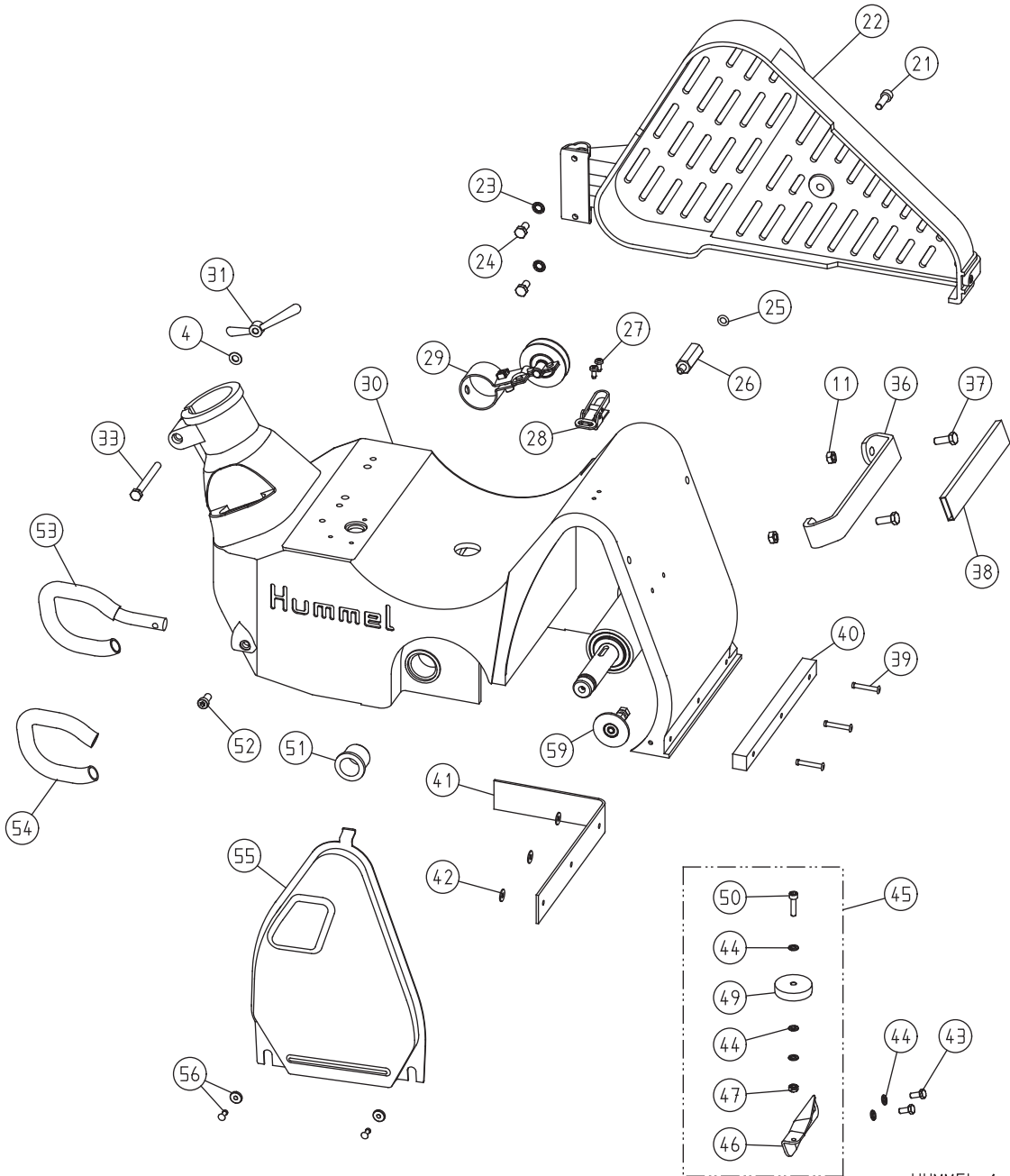
for the belt sanding machine

HUMMEL

Lägler®

WORLD LEADERS IN FLOOR
SANDING TECHNOLOGY

SPARE PARTS

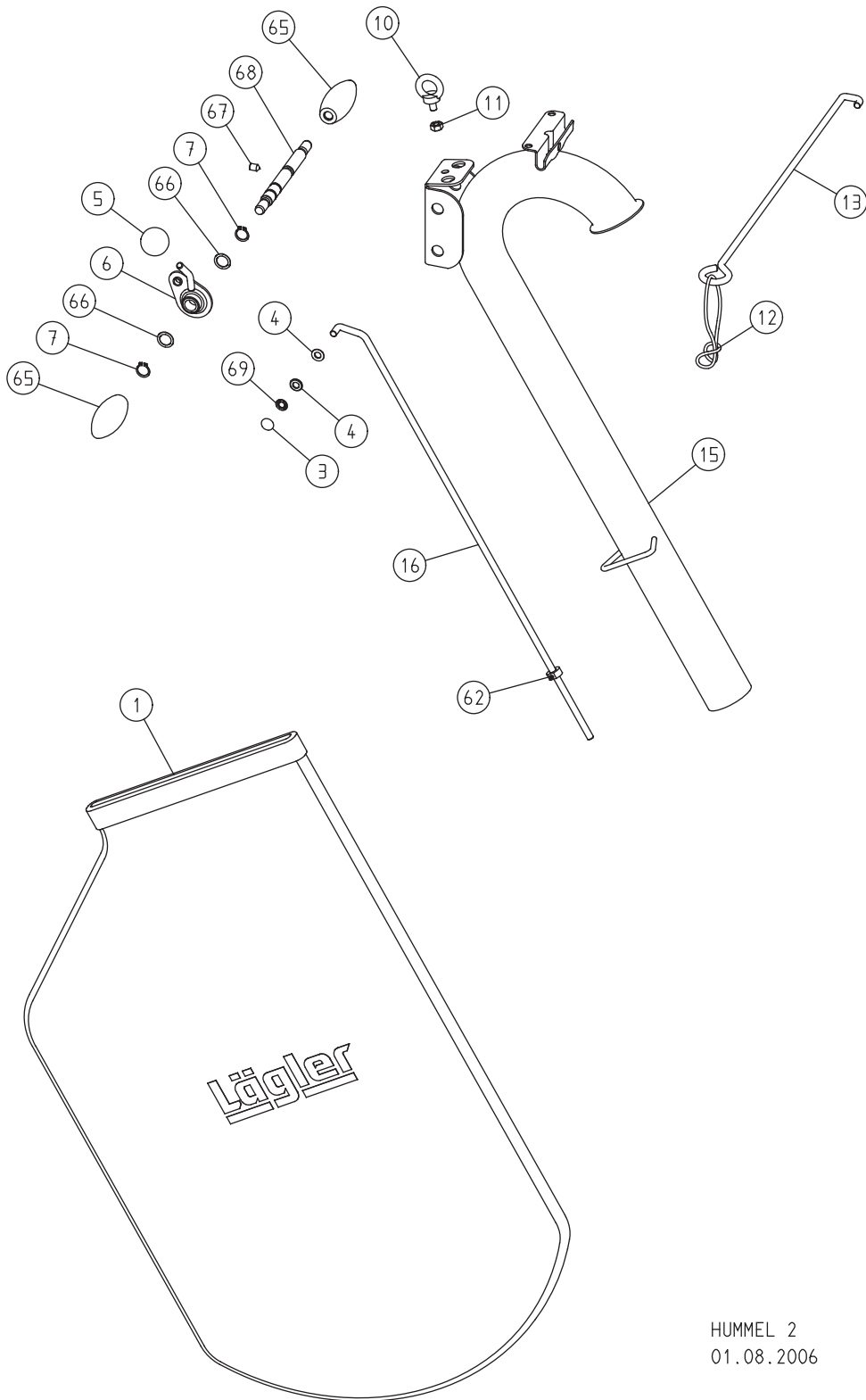


HUMMEL 1
01.05.2005

SPARE PARTS

Pos.	Product-No.	Description
4	0125.1008.000	Washer
11	0980.1008.000	Nut
21	0912.1008.025	Screw
22	100.50.00.100	Belt guard, complete
23	6797.1008.000	Washer
24	0933.1008.016	Screw
25	000.01.40.001	O-ring
26	100.50.04.105	Screw stud
27	7500.1005.012	Screw
28	100.01.05.105	Cover fastener
29	100.58.00.200	Belt tensioner, complete
30	100.01.00.100	Housing
31	000.20.45.083	Wing nut
33	0931.1008.075	Screw
36	100.33.01.100	Bracket
37	0933.1008.022	Screw
38	100.33.02.100	Grip
39	7337.1005.033	Rivet
40	100.01.01.100	Bumper felt
41	100.01.02.100	Sealing felt
42	9021.1005.000	Washer
43	0933.1006.014	Screw
44	0125.1006.000	Washer
45	100.60.00.200	Wall protecting roller with bracket
46	100.60.01.100	Bracket
47	0934.1006.000	Nut
49	100.60.02.200	Wall protecting roller
50	0912.1006.025	Screw
51	000.43.10.252	Plastic bushing
52	7984.1008.016	Screw
53	100.44.00.100	Safety guard, complete
54	100.44.01.100	PVC tube
55	100.01.03.100	Side cover
56	100.01.08.200	Collar nut, complete
59	100.01.30.100	Guide roller, complete

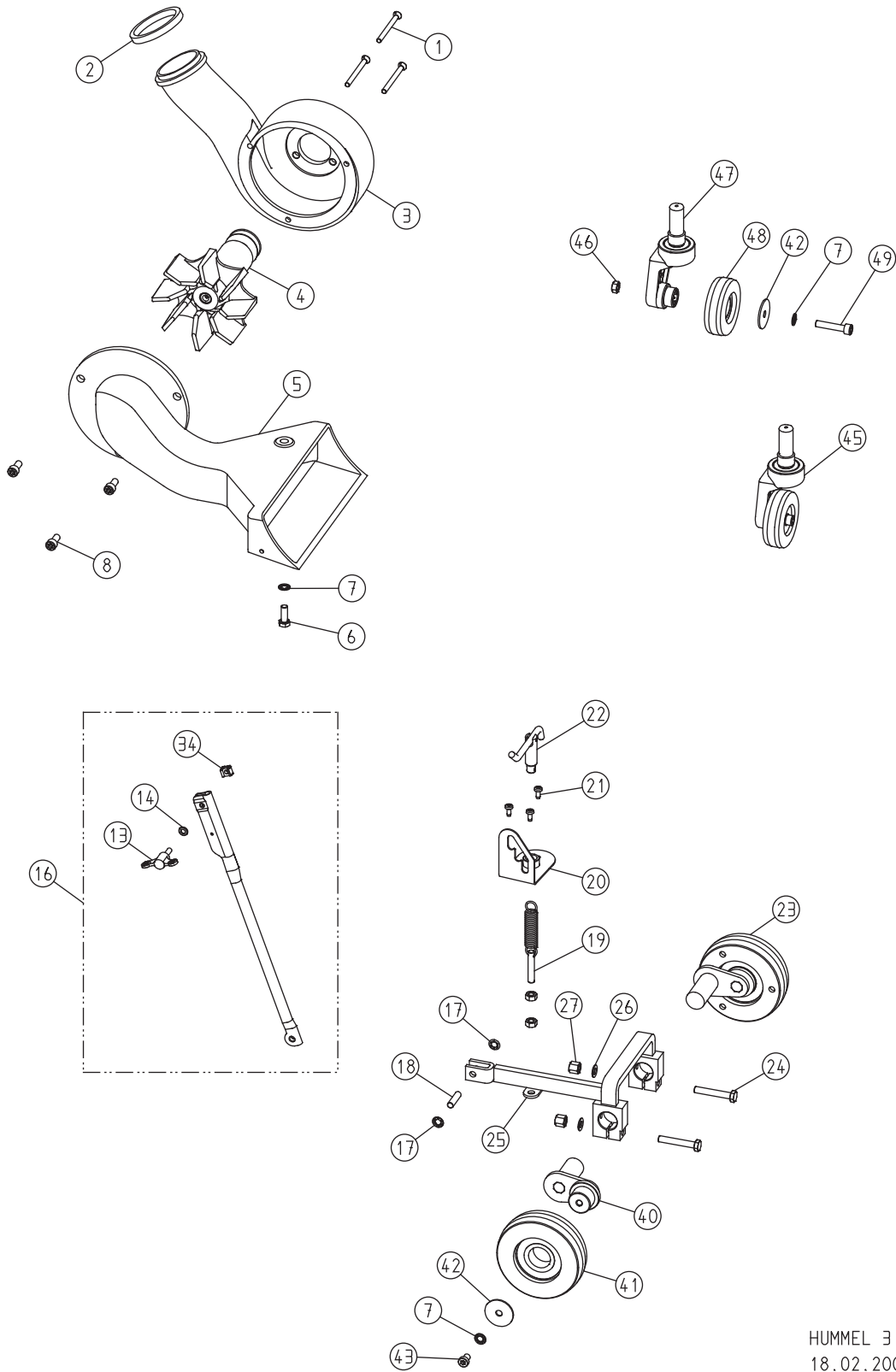
SPARE PARTS



SPARE PARTS

Pos.	Product-No.	Description
1	100.00.80.105	Dust bag HUMMEL
3	000.17.21.081	Fixing cap
4	0125.1008.000	Washer
5	000.20.56.351	Ball knob
6	100.20.18.200	Lever
7	0471.0015.000	Circlip
10	0580.1008.000	Thread eye
11	0980.1008.000	Nut
12	00.000.41.002	Strain relief ring
13	100.20.26.100	Cable support, complete
15	100.20.01.200	Guide tube
	102.20.01.200	Guide tube USA
	100.20.00.200	Guide tube, complete
	102.20.00.200	Guide tube USA, complete
	100.21.00.200	Guide tube long, complete
16	100.20.24.100	Upper rod, complete
62	100.20.23.100	Adjusting ring, complete
65	000.20.31.351	Handle
66	0988.0015.005	Washer
67	0914.0008.012	Grub screw
68	100.20.17.200	Axle for handle
69	000.17.20.081	Quick-fixing-fastener

SPARE PARTS

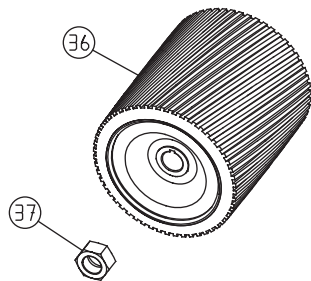
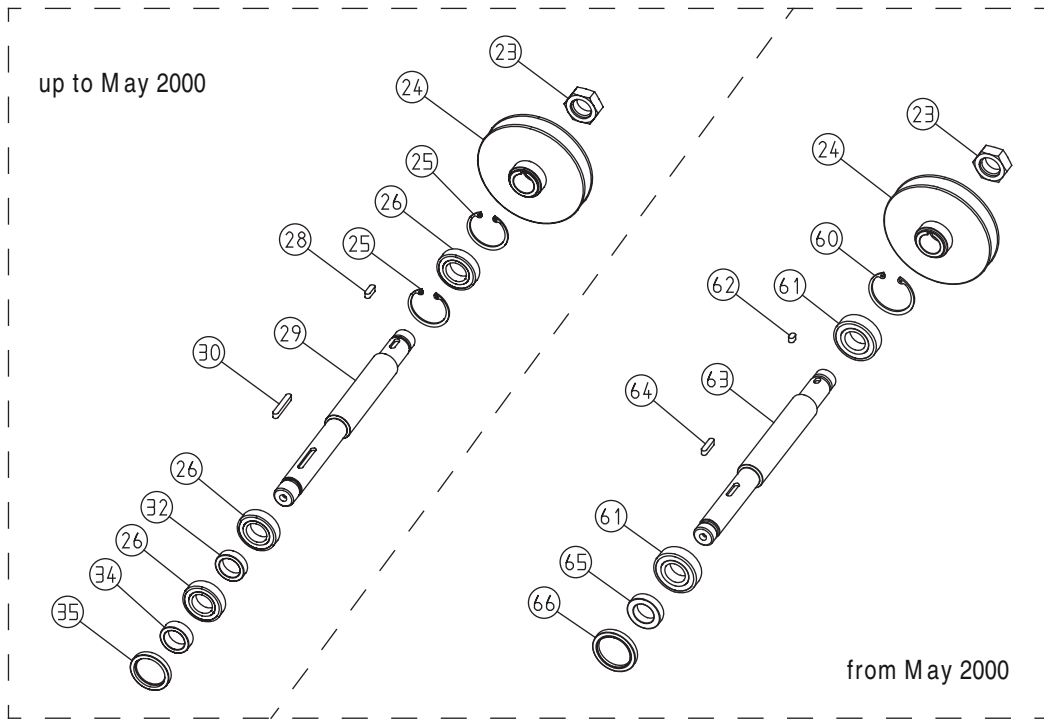
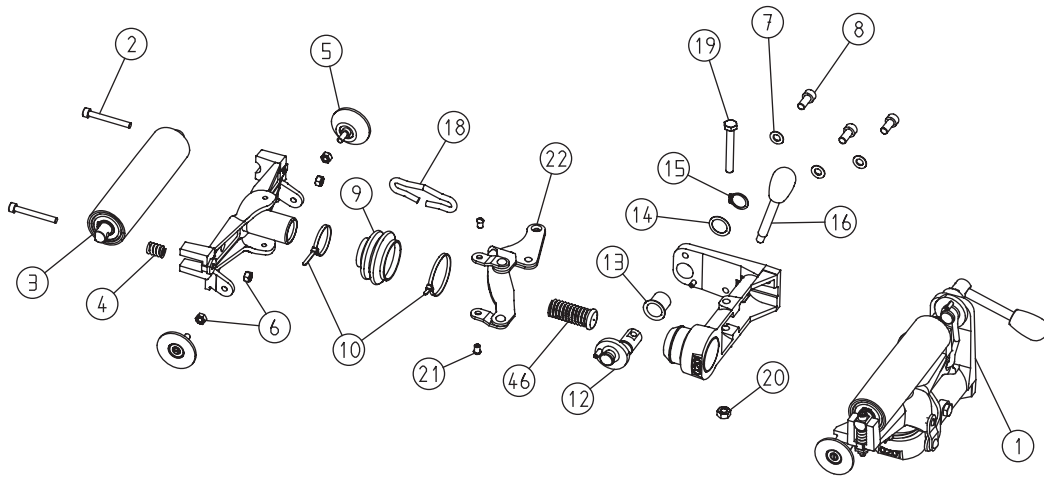


HUMMEL E
18.02.2002

SPARE PARTS

Pos.	Product-No.	Description
1	0965.1006.870	Screw
2	100.08.01.200	Sealing ring
3	100.08.00.100	Fan housing
4	100.10.00.200	Fan insert, complete
5	100.14.00.100	Intake duct
6	0933.1008.022	Screw
7	6797.1008.000	Washer
8	0912.1008.018	Screw
13	000.20.46.062	Wing screw
14	0125.1006.000	Washer
16	100.04.09.100	Lower rod, complete
17	000.17.20.081	Quick-fixing-fastener
18	100.04.01.200	Pivot pin
19	100.04.25.100	Spring with screw, complete
20	100.04.06.200	Notch plate
21	7500.1005.012	Screw
22	100.04.02.100	Spring tensioner, complete
23	100.05.00.200	Lateral wheel, complete
24	0931.1008.050	Screw
25	100.04.00.100	Lifting fixture
26	0125.1008.000	Washer
27	6330.1008.000	Nut
34	000.50.12.061	Nut
40	100.05.04.200	Wheel arm
41	100.05.29.100	Lateral wheel
42	000.10.10.085	Washer
43	7984.1008.012	Screw
45	100.18.00.300	Rear wheel, complete
46	0934.1008.000	Nut
47	100.18.18.300	Yoke housing, complete
48	100.18.29.105	Rear wheel
49	0912.1008.040	Screw

SPARE PARTS



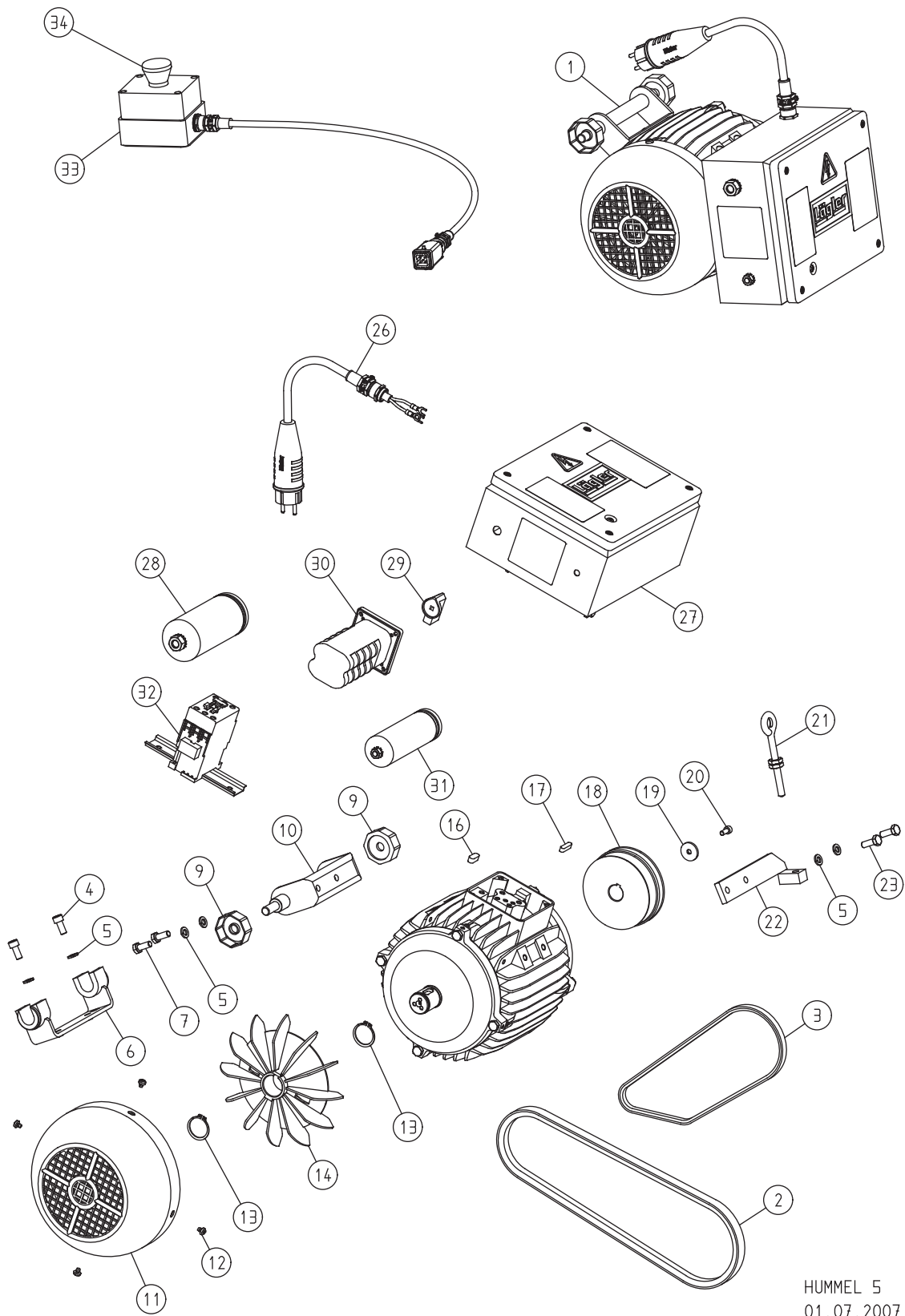
Please state the machine number with each order.

HUMMEL 4
12.02.2001

SPARE PARTS

Pos.	Product-No.	Description
1	100.45.00.100	Drive unit, complete
2	0912.1006.050	Screw
3	100.45.12.105	Tensioning roller
4	000.31.13.021	Spring
5	100.45.01.105	Guide roller
6	0980.1006.000	Nut
7	0125.1008.000	Washer
8	0912.1008.018	Screw
9	100.45.81.105	Collar
10	000.61.10.363	Nylon fastener
12	100.45.20.100	Crank
13	100.45.24.105	Bearing bush
14	0988.0018.005	Washer
15	0471.0018.000	Circlip
16	000.20.32.104	Operating lever
18	100.45.17.100	Clip
19	0931.1008.060	Screw
20	0980.1008.000	Nut
21	100.45.61.205	Screw
22	100.45.37.100	Double arm, complete
23	100.02.05.100	Nut, right-hand thread
24	100.36.00.100	V-belt pulley
25	0472.0047.000	Circlip
26	6005.0025.205	Ball bearing
28	6885.0606.018	Key
29	100.02.01.100	Sanding shaft
30	6885.0606.040	Key
32	100.02.04.105	Spacer ring
34	100.02.03.105	Slide ring
35	000.11.35.102	Shaft seal
36	120.40.00.100	Sanding drum HUMMEL
	120.41.00.100	Sanding drum HUMMEL, hard rubber cover
37	100.02.06.100	Nut, left-hand thread
46	100.45.45.100	Spring
60	0472.0052.000	Circlip
61	6205.0025.205	Ball bearing
62	6885.0606.010	Key
63	100.02.01.200	Sanding shaft
64	6885.0606.025	Key
65	100.02.03.200	Spacer ring
66	000.11.40.102	Shaft seal

SPARE PARTS

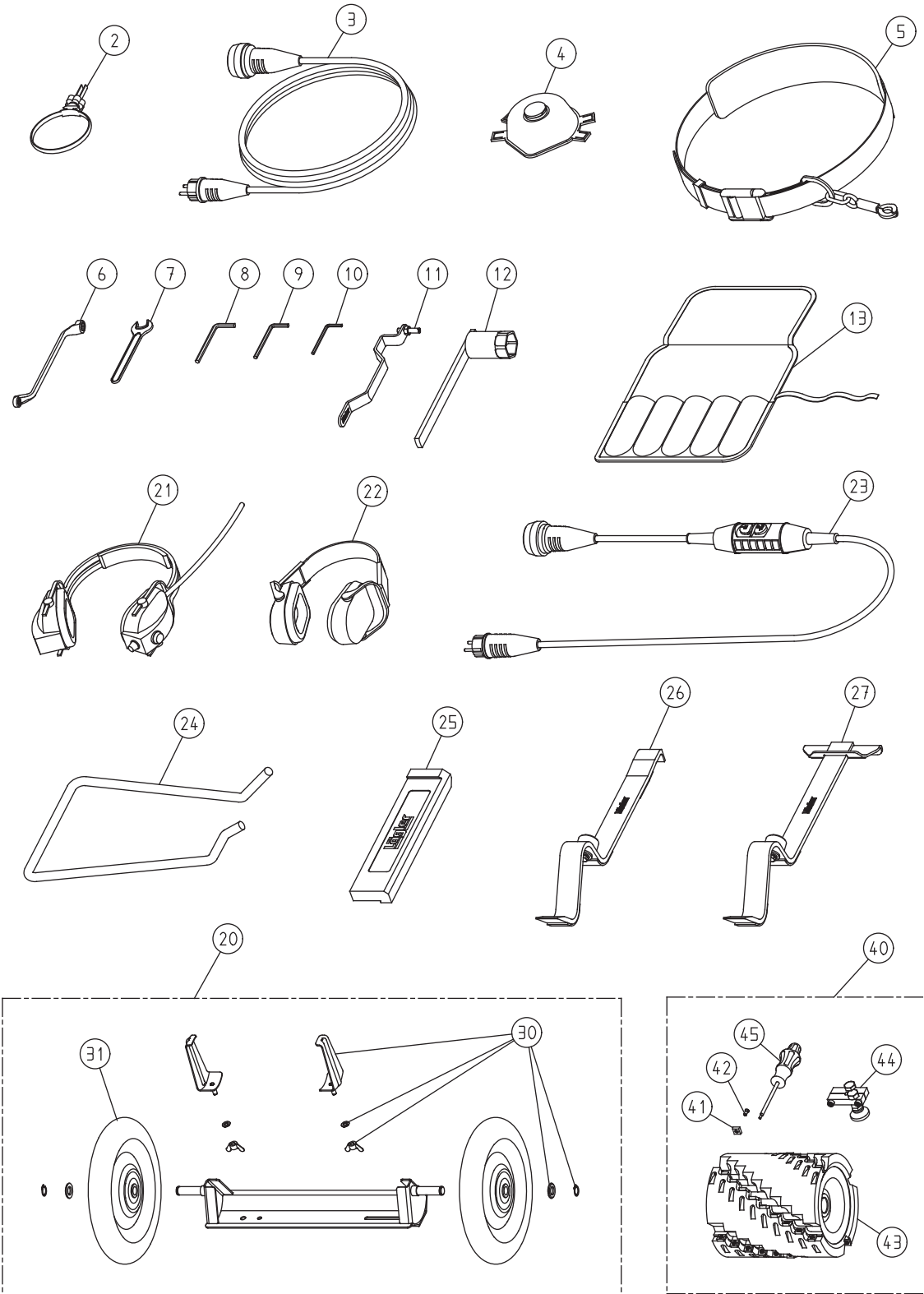


HUMMEL 5
01.07.2007

SPARE PARTS

Pos.	Product-No.	Description
1	100.65.00.100	Single-phase AC motor, 230 V / 50 CPS / 2.2 kW
	101.65.00.100	Single-phase AC motor, 230 V / 60 CPS / 2.2 kW
	102.65.00.100	Single-phase AC motor, 220 V / 60 CPS / 2.9 kW, USA
	105.65.00.100	Three-phase AC motor, 400 V / 50 CPS / 4 kW
2	000.71.26.087	V-belt 17 x 875
3	000.71.24.065	V-belt 10 x 650
4	0912.1008.020	Screw
5	0127.1008.000	Spring washer
6	100.65.29.200	Motor bearing bracket
7	0933.1008.020	Screw
9	100.65.30.100	Motor nut
10	100.65.25.100	Motor mounting
11	100.65.09.100	Fan cover
12	7500.1005.006	Screw
13	0471.0030.000	Circlip
14	100.65.08.105	Fan wheel
16	6885.0807.020	Key
17	6885.0606.025	Key
18	100.65.06.100	Motor pulley
19	000.10.10.061	Washer
20	0912.1006.014	Screw
21	100.65.80.105	Eye bolt
22	100.65.35.100	Motor tensioner
23	0933.1008.022	Screw
26	100.65.75.100	Motor cable 3 x 2.5 mm ² (from year of manufacture 2008)
	000.65.43.251	Motor cable 3 x 2.5 mm ² (up to year of manufacture 2007)
	102.65.75.100	Motor cable 3 x 2.5 mm ² , USA (from year of manufacture 2008)
	000.65.43.257	Motor cable 3 x 2.5 mm ² , USA (up to year of manufacture 2007)
	105.65.75.100	Motor cable 5 x 1.5 mm ² , three-phase AC motor (from year of manufacture 2008)
	000.65.45.151	Motor cable 5 x 1.5 mm ² , three-phase AC motor (up to year of manufacture 2007)
27	100.65.40.200	Switchbox, 230 V / 50 CPS
	102.65.40.200	Switchbox, 220-230 V / 60 CPS + three-phase AC current
28	000.65.10.041	Running capacitor
29	000.65.62.211	Switchknob
30	000.65.60.253	Switch
	000.65.60.401	Switch three-phase AC motor
31	000.65.10.061	Starting capacitor
	000.65.10.131	Starting capacitor USA
32	000.65.20.035	Universal contactor
	000.65.20.032	Universal contactor complete, three-phase AC motor
33	102.65.60.100	Emergency switch
34	000.65.62.221	Red button for emergency switch

SPARE PARTS



HUMMEL 6
01.01.2008

SPARE PARTS

Pos.	Product-No.	Description
2	000.01.40.110	MultiClip
3	000.65.53.251	Extension cable 3 x 2.5 mm ² , 10 m long
	000.65.53.252	Extension cable 3 x 2.5 mm ² , 20 m long
	000.65.55.151	Extension cable 5 x 1.5 mm ² , 10 m long, three-phase AC motor
4	000.01.20.010	Protective mask P3
5	000.01.50.010	Safety belt
6	000.95.21.103	Closed mouth wrench
7	000.95.11.171	Open mouth wrench
8	000.93.11.061	Hexagonal socket screw wrench 6 mm
9	000.93.11.051	Hexagonal socket screw wrench 5 mm
10	000.93.11.041	Hexagonal socket screw wrench 4 mm
11	100.00.50.100	Setting fixture
12	100.00.45.105	Box wrench
13	000.01.30.011	Tool bag, empty
	100.98.00.100	Tool bag, complete
20	720.00.00.200	Trolley TRANSCART, complete
21	000.01.10.011	Foldable earmuff type MUSIMUFF with FM radio
22	000.01.10.021	Foldable earmuff type POCKET
23	000.01.65.020	Protective switch for fault current
24	100.00.55.100	Carrying handle HUMMEL
25	701.10.00.100	Impact tool
26	702.00.00.200	Parquet layer tool ZUGEISEN, small
27	703.00.00.200	Parquet layer tool ZUGEISEN, broad
30	720.10.00.200	Accessories TRANSCART
31	720.05.00.205	Wheel TRANSCART
40	000.10.42.240	Milling drum 200 mm width, complete with accessories
41	900.02.45.105	Carbide tool (10 pcs. per box)
42	900.02.47.105	Screw for blade
43	000.10.42.241	Milling drum with carbide blades
44	000.10.42.243	Cutting depth adjustment, complete
45	000.91.30.151	Torx screw driver